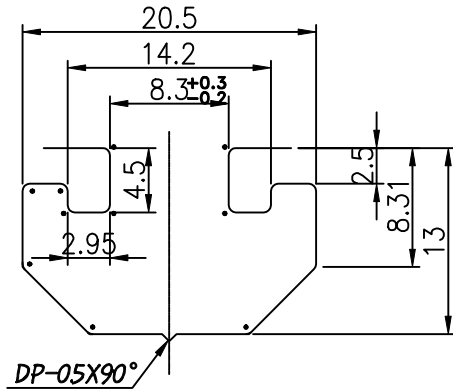


CUSTOMER

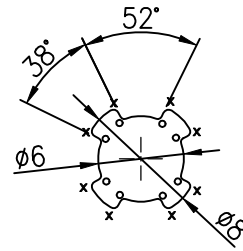


TEMPER / ALLOY

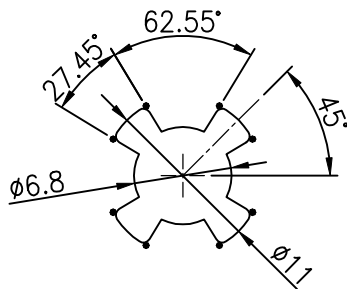
A6063-T5



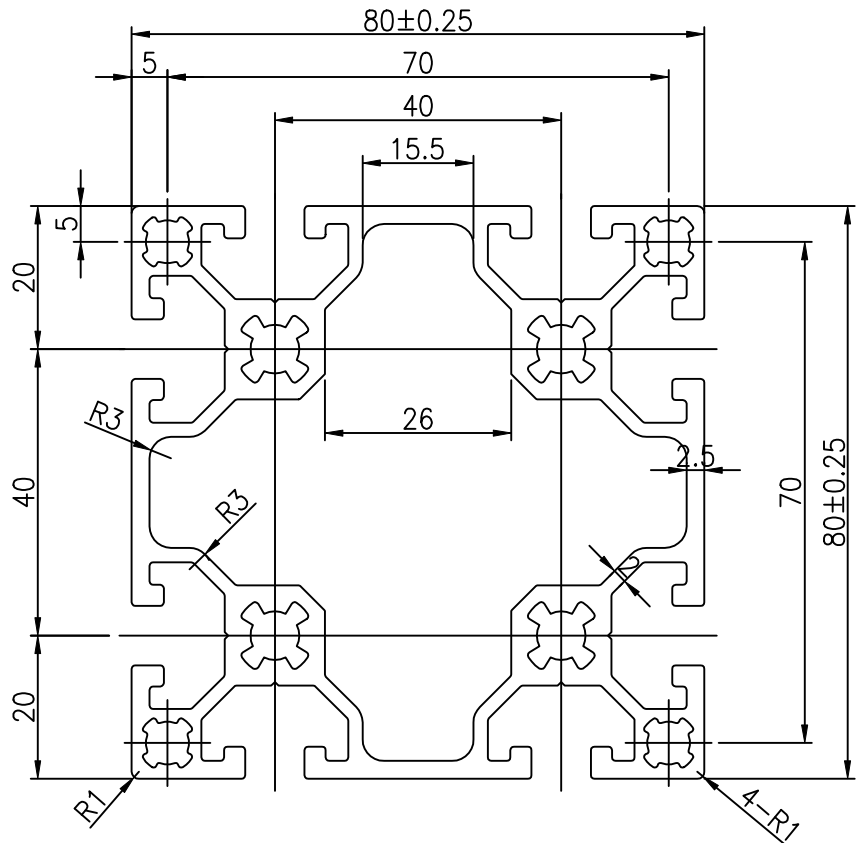
**DETAIL "A"**  
Scale= 2:1



**DETAIL "C"**  
Scale= 2:1



**DETAIL "B"**  
Scale= 2:1



**NOTE**

- 1. △ : R1.0
- 2. • : R0.5
- 3. x : R0.4
- 4. ○ : R0.3

TOLERANCE	KS D 6759 NORMAL (SPECIAL) GRADE	UNIFORM THICKNESS	MM	VISIBLE SURFACE
STRAIGHTNESS	0.3 x L / 300 MAX	EST. AREA	1546.704 MM <sup>2</sup>	
FLATNESS	0.4% x WIDTH(W) MAX	EST. WEIGHT	4.192 KG/M	DIES NO. <b>SWAP-8080</b>
TWIST	1/4° x L/300 MAX(MAX 3°)	EST. OUT PERIMETER	727.556 MM	
ANGLE	± 1°	EST. IN PERIMETER	MM	



대구광역시 달서구 상서서로 262 Tel: (053)581-7770 Fax:(053)581-7776  
sale@hansungal.com